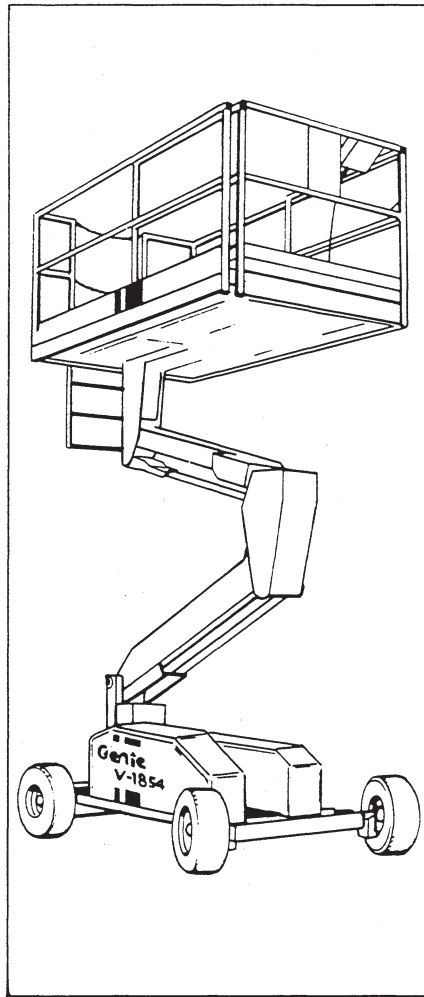
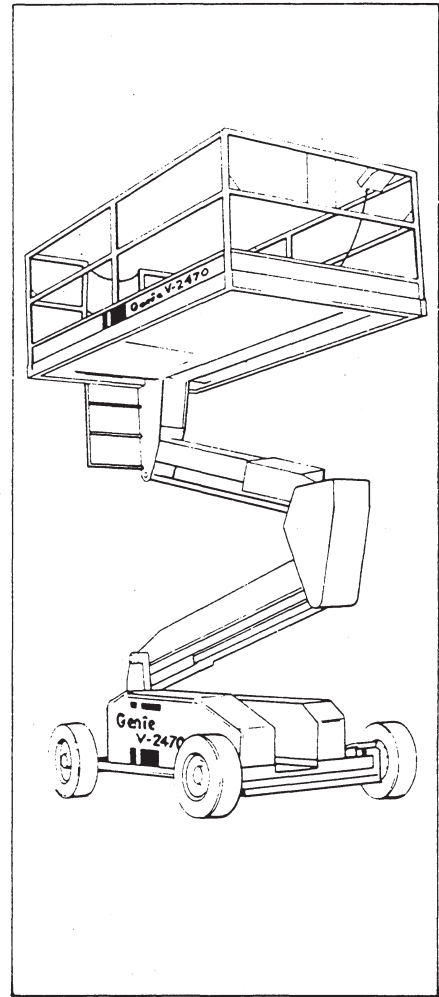


GENIE V-1832



GENIE V-1854



GENIE V-2470

## SAFETY RULES & OPERATING INSTRUCTIONS

Read and understand these Safety Rules and Operating Instructions before operating the Genie Vertical Lift aerial platform. Do not permit anyone to use the machine who does not understand the material in this document. A duplicate set of these instructions is contained in a water-tight plastic tube on the platform and should be kept there at all times for operator reference.

If there is anything you do not understand, or if you have questions regarding the operation of the Genie Vertical Lift, call Genie Industries in the U.S.A., 800/426-8089 or 206/881-1800, or telex 152351, or FAX 206/885-4638. In Canada call 800/663-4475 or 604/984-4242, or FAX 604/988-2662.

## Section 4.3 Specifications Continued

## Genie V-2470 &amp; V-2470RT Specifications\*

MODEL		V-2470	V-2470RT	
Height-working max.	U.S.-ft.	31		
	Metric-m	9.45		
Height-platform max.	U.S.-ft.	24		
	Metric-m	7.31		
Height-stowed	U.S.-ft.	7'9"	7'11"	
	Metric-m	2.36	2.41	
Width drive chassis	U.S.-in.	70	74	
	Metric-m	1.78	1.88	
Length-stowed	U.S.-ft.	11		
	Metric-m	3.35		
Lift capacity (evenly distributed)	U.S.-lbs.	1250		
	Metric-kg	567		
Wheelbase	U.S.-in.	84		
	Metric-m	2.13		
Turning radius (outside)	U.S.-ft.	16	17	
	Metric-m	4.87	5.18	
Turning radius (inside)	U.S.-ft.	8	9	
	Metric-m	2.44	2.74	
Power Source		24 volts DC	24 hp Gas/LP	
Batteries (included)		(8) 6 volt Deep cycle	12 volt DC	
Travel speed-stowed	U.S.-mph	0-3		
	Metric-km/h	0-4.8		
Travel speed-raised**	U.S.-mph	0-0.8		
	Metric-km/h	0-1.3		
Controls-drive		Proportional		
Platform dimensions (length × width)	U.S.-in.	126 × 70	126 × 70	
	Metric-m	3.20 × 1.78	3.20 × 1.78	
AC outlet in platform		Standard		
Hydraulic pressure max.	U.S.-PSI	3100	3000	
	Metric-kPa	21373	20684	
Tires	Front	U.S.-in.	23×8.5×12	27×8.5×15
		Metric-mm	584×216×305	686×216×381
	Rear	U.S.-in.	Same as Front	27×10.5×15
		Metric-mm		686×267×381
Gradeability**†		25%	35%	
Ground clearance obstacle/high center	U.S.-in.	6/8.25	8.25/10.75	
	Metric-mm	152/210	210/273	
Hydraulic oil reservoir capacity	U.S.-gal.	8	17	
	Metric-l	30.28	64.34	
Weight (gross)***	U.S.-lbs.	5400		
	Metric-kg	2449		

\* All specifications are subject to change without notice.

\*\* In lift mode (platform elevated), the machine is designed for operation on firm level surfaces only.

\*\*\* Add 200 lbs. (91 kg) for optional slide deck.

† Affected by battery condition on DC models.